

TUBE UNCOILER

SUBMITTAL DATA

Job Name: _____
 Location: _____
 Engineer: _____
 Contractor: _____
 Sales Rep.: _____

Submitted by: _____ Date: _____
 Approved by: _____ Date: _____
 Order No.: _____ Date: _____
 Notes: _____

DESCRIPTION

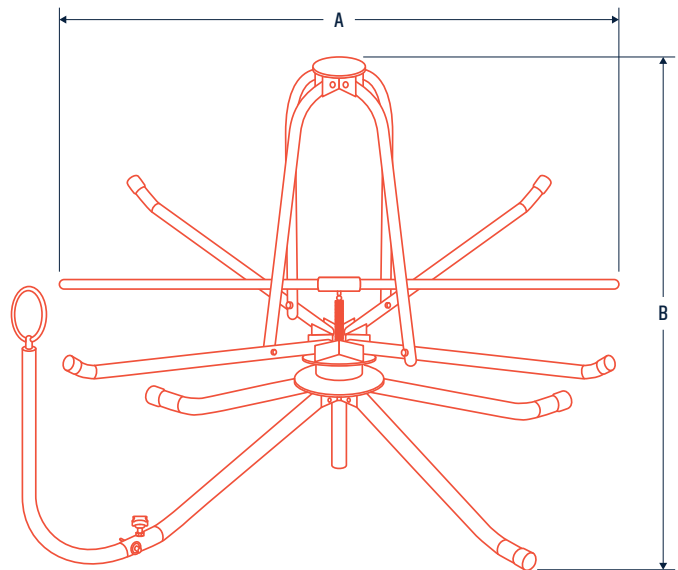
Calefactio's tube uncoiler aids the pipe to uncoil efficiently and effectively, allowing for the pipe to be laid by a single person whilst improving the installers working conditions, and reducing labour costs.

BENEFITS

- Can be used with all types and sizes of underfloor heating pipes;
- Can be used by a single person;
- Time efficient;
- Easy to use;
- Improves working conditions;
- Reduces labour costs.

TECHNICAL SPECIFICATIONS

- Made of black painted steel
- Min. Inner diameter of a coil: 20 cm
- Max. Outer diameter of a coil: 130 cm



#Model	A		B		Weight	
	in	cm	in	cm	lb	kg
UNCOILER	55	141	35	89	29.7	13.5

INSTALLATION

You just need scan the QR code located on the top of the product to access the instruction manual.