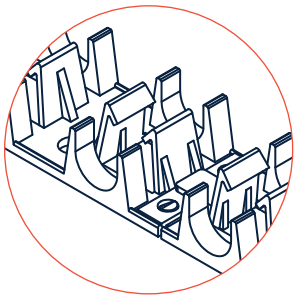
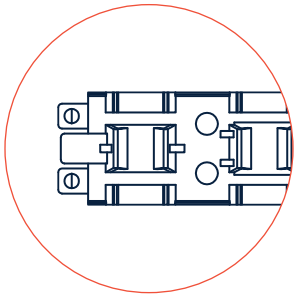


**1**



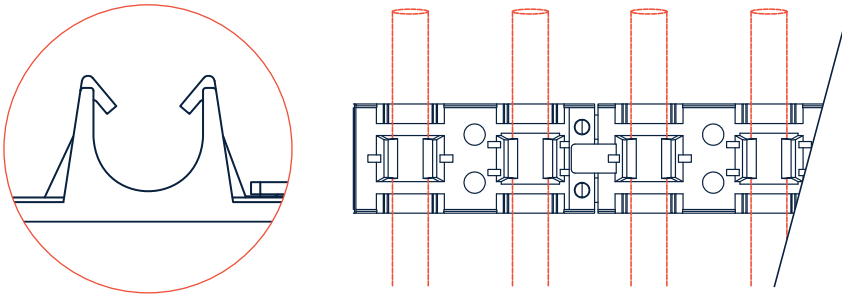
Glue and screw the strip to the floor as needed.

**2**



Join the strips in succession using the special grooves while maintaining a spacing between 2 and 4 feet.

**3**



Insert the 1/2" or 5/8" pipes into the floor heating strip according to your looping plan.

**TECHNICAL SPECIFICATIONS**

Model#	Lenght		Width		Height		Weight	
	in	mm	in	mm	in	mm	lb	kg
FHS12	39.37	1000	1.77	45	1	24	0.55	0.25

Scan the QR code to view the online version.



Quebec, Canada  
T (450) 951-0818  
F (450) 951-2165

**CALEFACTIO RADIANT.COM**