

CAETHERM PRO

SUBMITTAL DATA

PROJECT

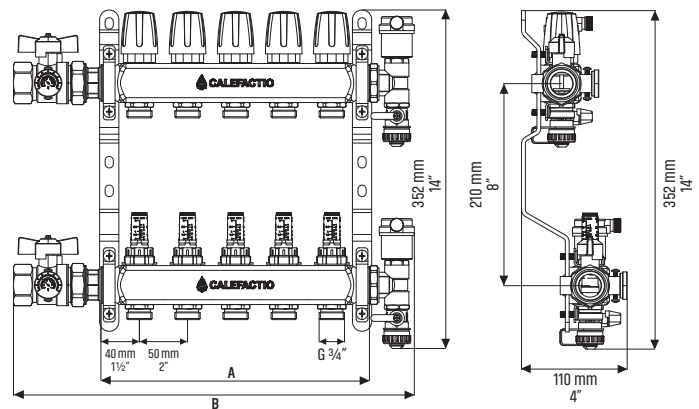
Job Name: _____ Submitted by: _____ Date: _____
 Location: _____ Approved by: _____ Date: _____
 Engineer: _____ Order No.: _____ Date: _____
 Contractor: _____ Notes: _____
 Sales Rep.: _____

DESCRIPTION

Headers inlet/outlet: 1"

Headers are offered in 14 models (2 to 15 loops) with a maximum flowrate of 22.5 gallons per minute (GPM). They come in pair and the kit includes stainless steel supply and return headers, isolating valve, wall support, flowmeter, surface thermometer (0-80°C), air purger and drain. The integrated flowmeters allow the user to adjust the flow easily in each loop. Circuit isolation valves are also compatible with 24V actuators from Calefactio (#AC24VNC). Calefactio's stainless steel manifold kit is delivered pre-assembled and ready to install

Model #	Loops	Maximum Flow Rate		A		B		Weight	
		LPM	GPM	in	mm	in	mm	lb	kg
MAN2-SS100	2	10	3	5.1	130	10.8	274	7.3	3.3
MAN3-SS100	3	15	4.5	7.1	180	12.8	324	8.3	3.7
MAN4-SS100	4	20	6	9.1	230	14.7	374	9.2	4.2
MAN5-SS100	5	25	7.5	11.0	280	16.7	424	10.1	4.6
MAN6-SS100	6	30	9	13.0	330	18.7	474	11.1	5.0
MAN7-SS100	7	35	10.5	15.0	380	20.6	524	12.0	5.5
MAN8-SS100	8	40	12	16.9	430	22.6	574	13.0	5.9
MAN9-SS100	9	45	13.5	18.9	480	24.6	624	14.0	6.3
MAN10-SS100	10	50	15	20.9	530	26.6	674	14.9	6.7
MAN11-SS100	11	55	16.5	22.9	580	28.5	724	15.8	7.2
MAN12-SS100	12	60	18	24.8	630	30.5	774	16.8	7.6
MAN13-SS100	13	65	19.5	26.8	680	32.5	824	17.8	8.1
MAN14-SS100	14	70	21	28.8	730	34.4	874	18.7	8.5
MAN15-SS100	15	75	22.5	30.7	780	36.4	924	19.7	8.9



TYPICAL SPECIFICATIONS

Furnish and install a Caltherm Pro header of _____ loops, model MAN _____ -SS100 from Calefactio. The header must be made of stainless steel and come with a drain and vent assembly as well as an isolating valve assembly equipped with surface thermometers. Circuit isolation valves must be compatible with Calefactio's actuator model (#AC24NC). The flow rate must be individually adjustable for each loop by rotating the balancing valve clockwise or counterclockwise and each circuit must be able to be isolated with the isolating valve. The manifolds must have 1" FNPT connections

Québec, Canada

T (450) 951-0818
F (450) 951-2165

CALEFACTIO.RADIANT.COM