

# COMPRESSION FITTINGS

## SUBMITTAL DATA

### PROJECT

Job Name: \_\_\_\_\_ Submitted by: \_\_\_\_\_ Date: \_\_\_\_\_  
 Location: \_\_\_\_\_ Approved by: \_\_\_\_\_ Date: \_\_\_\_\_  
 Engineer: \_\_\_\_\_ Order No.: \_\_\_\_\_ Date: \_\_\_\_\_  
 Contractor: \_\_\_\_\_ Notes: \_\_\_\_\_  
 Sales Rep.: \_\_\_\_\_

#FC12 Quantity: \_\_\_\_\_  
 #FC58 Quantity: \_\_\_\_\_  
 #FC34 Quantity: \_\_\_\_\_

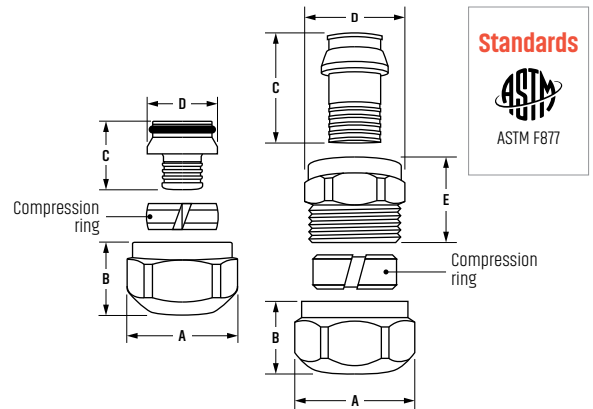
### DESCRIPTION

Compression fittings for use with Calefactio's Calpex-R (A) tubing.

### TECHNICAL DATA

Fitting: Brass      Maximum temperature: 100°C (212°F)      Nut size: G 3/4" (R-20)  
 O-Ring: Buna-N      Maximum pressure: 8 bar (120 psi)

Model#	A		B		C		D		E		Weight	
	in	mm	in	mm	in	mm	in	mm	in	mm	lb	kg
FC12	1.18	30	0.79	20.0	0.79	20	0.83	21.0	—	—	0.16	0.07
FC58	1.18	30	0.89	22.5	0.97	24.75	0.93	23.6	—	—	0.18	0.08
FC34	1.30	33	0.94	24.0	1.37	34.75	1.18	30	0.96	24.5		



### WARRANTY

Calefactio Solutions Inc. offers a one-year limited warranty from the date of purchase. The warranty is only valid if the product is installed and used under normal working conditions and for the purpose it was intended.