

MOUNTING CLIPS

SUBMITTAL DATA

Job Name: _____
 Location: _____
 Engineer: _____
 Contractor: _____
 Sales Rep.: _____

Submitted by: _____ Date: _____
 Approved by: _____ Date: _____
 Order No.: _____ Date: _____
 Notes: _____

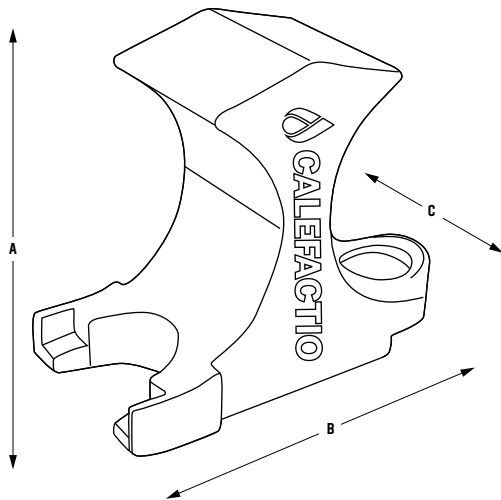
DESCRIPTION

The mounting clips allow support and alignment of the elbow (#CE-100).
 Modular mounting clips provide increased flexibility in professional installation of the radiant system.

- Box of 15 clips, screws included (#8, 1¼")
- Made of polyethylene

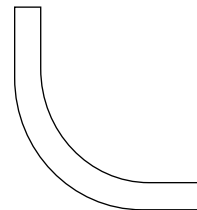
INSTALLATION

Screw into wood support.



Model#	Dimensions						Weight	
	A		B		C		lb	kg
	in	mm	in	mm	in	mm		
CE-100CLIP	1½	38	1¾	45	1	24	0,035	0,016

Optional
 1" PVC elbow
 (#CE-100)



TYPICAL SPECIFICATIONS

Furnish and install, as shown on the plan.